

# GROVE®

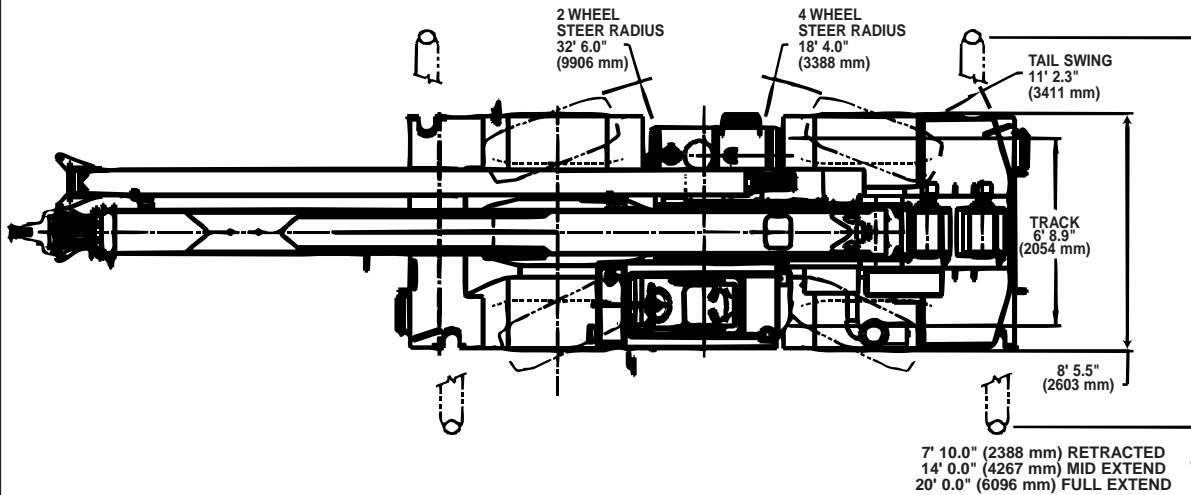
## **RT530E**



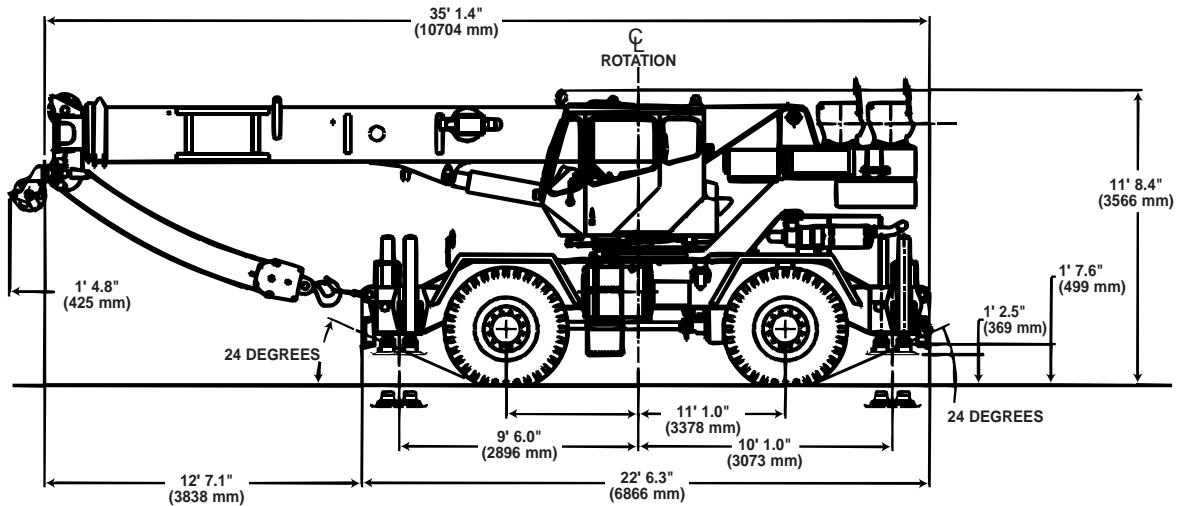
**ROUGH TERRAIN  
HYDRAULIC CRANE**



# Dimensions



Note: ( ) Reference dimensions in mm



## RT530E Weights

	GVW		Front		Rear	
	lbs	kg	lbs	kg	lbs	kg
<b>RT530E Basic Machine</b>	54,424	24,687	25,066	11,370	29,358	13,317
<b>ADD: 26 - 45 ft Tele swingaway</b>	1,790	812	2,853	1,294	-1,063	-482
<b>ADD: 26 ft swingaway</b>	1,300	590	2,111	958	-811	-368
<b>ADD: Aux Hoist w/rope</b>	339	154	-127	-58	466	211
<b>ADD: Aux boom nose</b>	142	64	283	128	-141	-64
<b>ADD: 30 ton (28mt) 3-sheave block (stowed)</b>	580	263	611	277	-31	-14
<b>ADD: 8.3 ton (7.5mt) headache ball (hanging from aux nose)</b>	354	161	373	169	-19	-9
<b>Remove: counterweight</b>	-8,400	-3,810	2,668	1,210	-11,068	-5,020

# Working Range



29 – 95 ft.  
(8.8-29m)



26 – 45 ft.  
(7.9-13.7m)



8,400 lbs.  
(3810 kg)



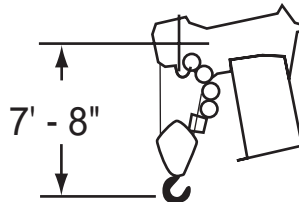
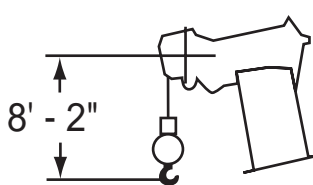
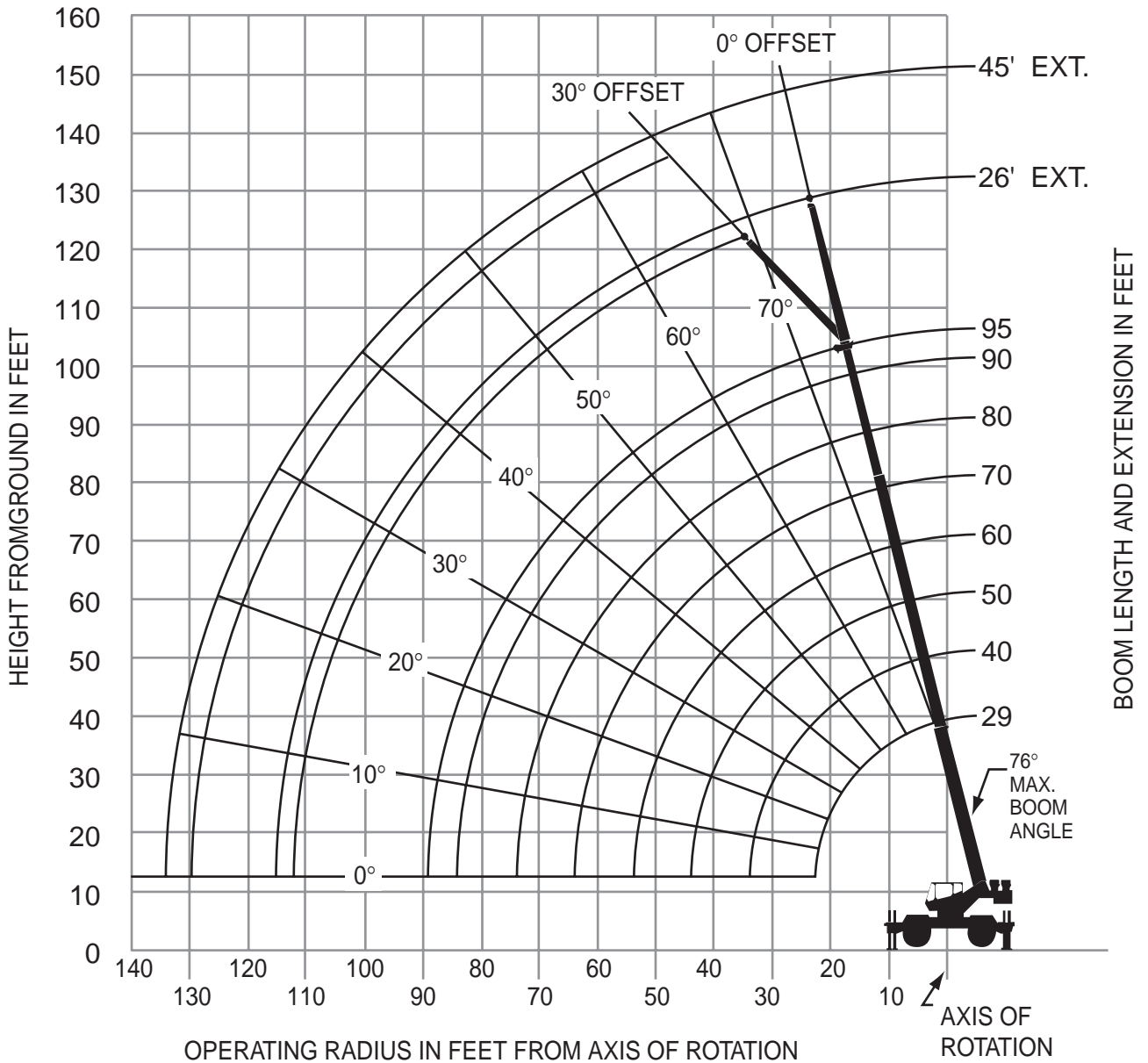
100%



## WORKING RANGE DIAGRAM

(BOOM DEFLECTION NOT SHOWN)

D6-829-100201



DIMENSIONS ARE FOR LARGEST GROVE FURNISHED HOOK BLOCK AND HEADACHE BALL, WITH ANTI-TWO BLOCK ACTIVATED.

# Superstructure Specifications

## Boom

29 ft. - 95 ft. (8.8 m - 29 m) four-section, full power boom. Maximum tip height: 102.5 ft. (31.2 m).

## \*Optional Fixed Swingaway Extension

26 ft. (7.92 m) offsettable swingaway extension. Offsettable at 0° and 30°. Stows alongside base boom section. Maximum tip height: 127.6 ft. (38.9 m).

## \*Optional Telescopic Swingaway Extension

26 ft. - 45 ft. (7.92 m - 13.7 m) telescoping offsettable swingaway extension. Offsettable at 0° and 30°. Stows alongside base boom section. Maximum tip height: 146 ft. (44.5 m).

## Boom Nose

Three metallic sheaves mounted on heavy duty tapered roller bearings with removable pin-type rope guards. Quick reeve type boom nose. \*Optional removable auxiliary boom nose with removable pin type rope guard. \*Four sheaves with optional 18 x 19 wire rope.

## Boom Elevation

One double-acting hydraulic cylinder with integral holding valve provides elevation from -3° to +76°.

## Load Moment & Anti-Two Block System

Standard "Graphic Display" load moment and anti-two block system with audio-visual warning and control lever lockout. These systems provide electronic display of boom angle, length, radius, tip height, relative load moment, maximum permissible load, load indication and warning of impending two-block condition. The standard Work Area Definition System allows the operator to pre-select and define safe working areas. If the crane approaches the pre-set limits, audio-visual warnings aid the operator in avoiding job-site obstructions.

## Cab

Full vision, all steel fabricated with acoustical lining and tinted safety glass throughout. Deluxe seat incorporates armrest mounted hydraulic single-axis controllers. Dash panel incorporates gauges for all engine functions. Other standard features include: hot water heater, cab circulating air fan, tilt telescoping steering wheel, sliding side and rear windows, sliding skylight with electric wiper, electric windshield wash/wipe, fire extinguisher, and seat belt.

## Swing

Planetary swing with foot applied multi-disc brake. Spring applied, hydraulically released swing brake

and plunger-type, one position, mechanical house lock operated from cab.\*Optional 360° mechanical swing lock. Maximum speed: 3.0 RPM.

## Counterweight

8,400 lbs. (3810 kg) pinned to superstructure.

## Hydraulic System

Three main gear pumps with a combined capacity of 100 GPM (381 L/min).

Maximum operating pressure: 3500 PSI (26.2 MPa).

Two individual valve banks.

Return line type filter with full flow by-pass protection and service indicator. Replaceable cartridge with micron filtration rating of 5/12/16.

90 gallon (341 L) reservoir.

Integral oil cooler.

System pressure test ports.

## HOIST SPECIFICATIONS

### Main and Auxiliary Hoist

#### Model HP15B-17G

Planetary reduction with automatic spring applied multi-disc brake. Grooved drum. Electronic hoist drum rotation indicator and hoist drum cable followers.

Maximum Single Line Pull: 11,640 lbs.  
(5280 kg)

Maximum Single Line Speed: 445 FPM  
(136 m/min)

Maximum Permissible Line Pull:  
w/standard 6 x 37 class rope: 11,770 lbs. (5339 kg)  
w/optional 18 x 19 class rope: 9,080 lbs. (4119 kg)

Rope Diameter: 5/8 in.  
(16 mm)

Rope Length: 450 ft.  
(137 m)

Rope Type:  
6 x 37 class EIPS IWRC  
\*Optional 18 x 19 class rotation resistant

Maximum Rope Stowage: 750 ft.  
(228 m)

*\*Denotes optional equipment*

# Carrier Specifications

## Chassis

Box section frame fabricated from high-strength, low alloy steel. Integral outrigger housings and front/rear towing and tie down lugs.

## Outrigger System

Four hydraulic telescoping single-stage double box beam outriggers with inverted jacks and integral holding valves. Three position setting. All steel fabricated quick release type outrigger floats, 16.5 in. (419 mm) square.

Maximum outrigger pad load: 48,900 lbs. (22 498 kg)

## Outrigger Controls

Controls and crane level indicator located in cab.

## Engine

Cummins 6BT 5.9L diesel, six cylinders, turbo-charged, 152 bhp (113 kW) (Gross) @ 2,500 RPM. Maximum torque: 414 ft. lbs. (561 Nm) @ 1,600 RPM.

## Fuel Tank Capacity

58 gallons (220 L)

## Transmission

Full powershift with 6 forward and 6 reverse speeds. Front axle disconnect for 4 x 2 travel.

## Electrical System

Two 12 V - maintenance free batteries. 12 V starting and lighting.

## Drive

4 x 4

## Steering

Fully independent power steering:

Front: Full hydraulic steering wheel controlled.

Rear: Full hydraulic switch controlled.

Provides infinite variations 4 main steering modes: front only, rear only, crab and coordinated. Rear steer indicating gauge.

## Axles

Front: Drive/steer with differential and planetary reduction hubs rigid mounted to frame.

Rear: Drive/steer with differential and planetary reduction hubs pivot mounted to frame.

## Oscillation Lockouts

Automatic full hydraulic lockouts on rear axle permit oscillation only with boom centered over the front.

## Brakes

Full hydraulic split circuit disc-type brakes operating on all wheels. Spring-applied, hydraulically released transmission-mounted parking brake.

## Tires

20.5 x 25-24PR bias earthmover type.

\*16.00 x 25-28PR bias earthmover type.

## Lights

Full lighting package including turn indicators, head, tail, brake and hazard warning lights.

## Maximum Speed

24 MPH (39 km/h)

## Gradeability (Theoretical)

70% (Based on 58,000 [26 309 kg] GVW) 20.5 x 25 tires, pumps engaged, 95 ft. (29 m) boom, and tele-swingaway.

## Miscellaneous Standard Equipment

Full width steel fenders, dual rear view mirrors, hookblock tiedown, electronic back-up alarm, light package, front stowage well, tachometer, rear wheel position indicator, hot water heater, hoist mirrors, engine distress A/V warning system. Auxiliary hoist control valve arrangement (less hoist).

## \*Optional Equipment

\*AUXILIARY HOIST PACKAGE (includes Model HP15B-17G auxiliary hoist with electronic hoist drum rotation indicator, hoist drum cable follower, 450 ft. [137 m] of 5/8 in. [16 mm] 18 x 19 class wire rope, auxiliary single sheave boom nose, and 7.5 ton non-swivel headache ball).

\*ENGINE COLD WEATHER PACKAGE (includes ether injection cold start aid - less canister, and immersion type engine block heater, 120 V, 1500 watt).

\*AIR CONDITIONING PACKAGE (includes hydraulic driven air conditioning, and skylight sunscreen).

\*CHASSIS OPTION PACKAGE (includes battery disconnect switch, and cab-controlled cross axle differential locks front and rear).

\*AUXILIARY LIGHTING PACKAGE (includes cab mounted, 360° rotation spotlight, cab mounted amber flashing light, and dual base boom mounted floodlights).

\*CONVENIENCE PACKAGE (includes in cab LMI light bar).

\*Pintle hook - rear

\*Full length aluminum decking

\*CE mark conformance

\*15 ton 2 sheave hookblock

*\*Denotes optional equipment*

**Rated Lifting Capacities In Pounds  
29 ft. - 95 ft. Boom  
On Outriggers Fully Extended - 360°**

Radius in Feet	Main Boom Length in Feet							
	29	40	50	60	70	80	90	95
10	60,000 (60.5)	48,000 (69.5)	45,000 (74.5)					
12	54,650 (56)	48,000 (66.5)	44,950 (72)	*37,000 (76)				
15	42,850 (47.5)	43,800 (61.5)	40,000 (68)	36,000 (72)	*27,400 (76)	*21,000 (76)		
20	30,700 (30)	31,650 (53)	32,100 (61.5)	29,500 (67)	27,400 (71)	21,000 (73.5)	*17,000 (76)	*15,500 (76)
25		24,050 (42.5)	24,500 (54.5)	24,000 (61.5)	23,100 (66.5)	19,000 (70)	16,500 (72.5)	15,300 (74)
30		18,800 (29)	19,250 (47)	19,550 (56)	19,600 (61.5)	15,900 (66)	14,100 (69)	13,100 (70.5)
35			15,550 (38)	15,850 (49.5)	16,000 (56.5)	13,800 (61.5)	12,700 (65.5)	11,400 (67.5)
40			12,800 (26)	12,950 (42.5)	12,700 (51.5)	12,000 (57.5)	10,700 (62)	10,000 (64)
45				10,450 (34.5)	10,300 (46)	10,400 (53)	9,300 (58.5)	8,800 (60.5)
50				8,610 (23.5)	8,500 (39.5)	8,600 (48)	8,100 (54.5)	7,900 (57)
55					7,170 (32)	7,200 (43)	7,100 (50)	7,100 (53)
60					6,000 (22)	6,030 (37)	6,100 (45.5)	6,100 (49)
65						5,080 (30)	5,100 (40.5)	5,100 (44.5)
70						4,270 (20.5)	4,300 (35)	4,300 (40)
75							3,650 (28.5)	3,700 (34.5)
80							3,100 (20)	3,100 (28)
85								2,600 (20)
Minimum boom angle (°) for indicated length (no load)								0
Maximum boom length (ft.) at 0° boom angle (no load)								95

NOTE: ( ) Boom angles are in degrees.

\*This capacity is based on maximum boom angle.

Lifting Capacities at Zero Degree Boom Angle On Outriggers Fully Extended - 360°								
Boom Angle	Main Boom Length in Feet							
	29	40	50	60	70	80	90	95.2
0 deg.	24,200 (22.8)	15,800 (33.8)	11,000 (43.8)	7,430 (53.8)	4,800 (63.8)	3,400 (73.8)	2,400 (83.8)	2,100 (89)

NOTE: ( ) Reference radii in feet.

A6-829-100269A

# On Rubber Capacities With 20.5 X 25 Tires

## Stationary Capacities 360°

Radius in Feet	Main Boom Length in Feet			
	29	40	50	60
10	25,550 (60.5)	25,550 (70)	*16,450 (76)	
12	20,600 (56)	20,600 (66.5)	16,450 (72)	
15	14,350 (47.5)	14,350 (62)	14,350 (68)	14,350 (72.5)
20	8,280 (30)	8,280 (53)	8,280 (61.5)	8,280 (67)
25		5,330 (42.5)	5,330 (54.5)	5,330 (61.5)
30		3,630 (29)	3,630 (47)	3,630 (56)
35			2,500 (38)	2,500 (49.5)
40			1,690 (26)	1,690 (42.5)
45				1,090 (34.5)
Min. boom angle for indicated length (no load)				34°
Max. boom length at 0° boom angle (no load)				50 ft.

NOTE: ( ) Boom angles are in degrees.

\*This chart is based upon maximum boom angle.

Lifting Capacity at Zero Degree On Rubber - 360°				
Boom Angle	Main Boom Length in Feet			
	29	40	50	60
0°	6,110 (22.8)	2,730 (33.8)	1,210 (43.8)	

NOTE: Reference radii in feet.

A6-829-100274B

## Stationary Capacities Defined Arc Over Front (See Note 3, pg. 8)

Radius in Feet	Main Boom Length in Feet			
	29	40	50	60
10	30,100 (60.5)	26,550 (70)	16,450 (74.5)	
12	26,550 (56)	22,100 (66.5)	16,450 (72)	
15	22,100 (47.5)	22,100 (62)	16,450 (68)	16,450 (72.5)
20	16,050 (30)	16,050 (53)	16,050 (61.5)	16,050 (67)
25		11,005 (42.5)	11,005 (54.5)	11,005 (61.5)
30		8,060 (29)	8,060 (47)	8,060 (56)
35			6,110 (38)	6,110 (49.5)
40			4,720 (26)	4,720 (42.5)
45				3,680 (34.5)
50				2,870 (23.5)
Min. boom angle for indicated length (no load)				0°
Max. boom length at 0° boom angle (no load)				60 ft.

NOTE: ( ) Boom angles are in degrees.

Lifting Capacity at Zero Degree On Rubber Stationary- Defined Arc Boom Centered Over Front				
Boom Angle	Main Boom Length in Feet			
	29	40	50	60
0°	12,700 (22.8)	6,500 (33.8)	3,890 (43.8)	2,360 (53.8)

NOTE: Reference radii in feet.

A6-829-100275A

## On Rubber Capacities With 20.5 X 25 Tires (continued)

### Pick & Carry Capacities (Up To 2.5 MPH) Boom Centered Over Front (See Note 7)

Radius in Feet	Main Boom Length in Feet			
	29	40	50	60
10	25,900 (60.5)	25,900 (70)	18,250 (74.5)	
12	22,350 (56)	22,350 (66.5)	18,250 (72)	
15	18,250 (47.5)	18,250 (62)	18,250 (68)	13,350 (72.5)
20	13,350 (30)	13,350 (53)	13,350 (61.5)	13,350 (67)
25		10,350 (42.5)	10,350 (54.5)	10,350 (61.5)
30		8,060 (29)	8,060 (47)	8,060 (56)
35			4,810 (38)	4,810 (49.5)
40			3,770 (26)	3,770 (42.5)
45				2,930 (34.5)
50				2,240 (23.5)
Min. boom angle for indicated length (no load)				0°
Max. boom length at 0° boom angle (no load)				60 ft.

NOTE: ( ) Boom angles are in degrees.

Lifting Capacity at Zero Degree On Rubber Pick & Carry - Boom Centered Over Front				
Boom Angle	Main Boom Length in Feet			
	29	40	50	60
0°	11,400 (22.8)	5,090 (33.8)	3,110 (43.8)	1,800 (53.8)

NOTE: Reference radii in feet.

A6-829-100276A

#### NOTES TO ALL RUBBER CAPACITY CHARTS:

1. Capacities are in pounds and do not exceed 75% of tipping loads as determined by test in accordance with SAE J765.
2. Capacities are applicable to machines equipped with 20.5x25 (24 ply) bias ply tires, at 75 psi cold inflation pressure.
3. Defined Arc - Over front includes 6° on either side of longitudinal centerline of machine (ref. drawing 06-829-008529).
4. Capacities appearing above the bold line are based on structural strength and tipping should not be relied upon as a capacity limitation.
5. Capacities are applicable only with machine on firm level surface.
6. On rubber lifting with boom extensions not permitted.
7. For pick and carry operation, boom must be centered over front of machine, mechanical swing lock engaged and load restrained from swinging. When handling loads in the structural range with capacities close to maximum ratings, travel should be reduced to creep speeds.
8. Axle lockouts must be functioning when lifting on rubber.
9. All lifting depends on proper tire inflation, capacity and condition. Capacities must be reduced for lower tire inflation pressures. See lifting capacity chart for tire used. Damaged tires are hazardous to safe operation of crane.
10. Creep - Not over 200ft. of movement in and 30 minute period and not exceeding 1mph.



## 26 ft. - 45 ft. Tele Offsettable Boom Extension On Outriggers Fully Extended - 360°

### BOOM EXTENSION CAPACITY NOTES:

Radius in Feet	**26 ft. LENGTH		45 ft. LENGTH	
	0° OFFSET	30° OFFSET	0° OFFSET	30° OFFSET
30	*8,200 (76)			
35	8,200 (73.5)		*5,250 (76)	
40	8,200 (71)	*5,780 (76)	5,250 (75)	
45	8,120 (68.5)	5,780 (73.5)	4,940 (73)	
50	7,350 (66)	5,360 (71)	4,540 (71)	
55	6,370 (63)	4,750 (68)	4,150 (68.5)	*2,730 (76)
60	5,670 (60.5)	4,290 (65)	3,890 (66)	2,730 (74.5)
65	4,820 (57.5)	3,870 (62)	3,740 (64)	2,730 (72)
70	4,200 (54.5)	3,530 (59)	3,600 (61.5)	2,580 (69.5)
75	3,680 (51.5)	3,230 (56)	3,470 (59)	2,520 (67)
80	3,080 (48.5)	3,000 (52.5)	3,240 (56.5)	2,460 (64)
85	2,520 (45)	2,780 (49)	3,050 (54)	2,420 (61.5)
90	2,050 (41)	2,410 (45)	2,820 (51)	2,390 (58.5)
95	1,670 (37)	1,970 (40.5)	2,480 (48.5)	2,370 (55.5)
100	1,370 (32.5)	1,580 (35.5)	2,090 (45.5)	2,310 (52)
105	1,020 (27.5)		1,740 (42)	2,000 (49)
110			1,430 (38.5)	1,580 (45)
115			1,150 (35)	1,260 (40.5)
120			900 (30.5)	
for indicated length (no load)	24°	30°	30°	30°
Max. boom length at 0° boom angle (no load)	80 ft.		80 ft.	

NOTE: ( ) Boom angles are in degrees.

A6-829-100272A

\*This capacity based on maximum boom angle.

\*\*26 ft. capacities are also applicable to fixed offsettable ext. However, the LMI codes will change for 0° and 30° offset, respectively.

1. All capacities above the bold line are based on structural strength of boom extension.

2. 26ft. and 45ft. boom extension lengths may be used for single line lifting service.

3. Radii listed are for a fully extended boom with the boom extension erected. For main boom lengths less than fully extended, the rated loads are determined by boom angle. Use only the column which corresponds to the boom extension length and offset for which the machine is configured. For boom angle not shown, use the rating of the next lower boom angle.

**WARNING:** Operation of this machine with heavier loads than the capacities listed is strictly prohibited. Machine tipping with boom extension occurs rapidly and without advance warning.

4. Boom angle is the angle above or below horizontal of the longitudinal axis of the boom base section after lifting rated load.

5. Capacities listed are with outriggers fully extended and verticle jacks set only.

**Rated Lifting Capacities In Pounds**  
**29 ft. - 95 ft. Boom**  
**On Outriggers 0% Extended (7 ft. 10 in. Spread) - 360°**

Radius in Feet	Main Boom Length in Feet							
	29	40	50	60	70	80	90	95
10	34,700 (60.5)	32,400 (69.5)	30,400 (74.5)					
12	26,200 (56)	25,400 (66.5)	24,100 (72)	*22,900 (76)				
15	17,750 (47.5)	17,550 (61.5)	17,550 (68)	17,250 (72)	*16,550 (76)	*10,900 (76)		
20	10,650 (30)	10,600 (53)	10,650 (61.5)	10,750 (67)	11,000 (71)	10,900 (73.5)	*10,500 (76)	*10,350 (76)
25		6,930 (42.5)	7,020 (54.5)	7,170 (61.5)	7,350 (66.5)	7,560 (70)	7,610 (72.5)	7,490 (74)
30		4,670 (29)	4,780 (47)	4,950 (56)	5,080 (61.5)	5,240 (66)	5,390 (69)	5,480 (70.5)
35			3,270 (38)	3,450 (49.5)	3,550 (56.5)	3,660 (61.5)	3,780 (65.5)	3,850 (67.5)
40			2,170 (26)	2,370 (42.5)	2,440 (51.5)	2,520 (57.5)	2,620 (62)	2,670 (64)
45				1,550 (34.5)	1,600 (46)	1,660 (53)	1,740 (58.5)	1,780 (60.5)
50							1,050 (54.5)	1,080 (57)
0.1A (lb)	660	610	580	560	550	540	540	530
Minimum boom angle (°) for indicated length (no load)				33	43	51	53	55
Maximum boom length (ft.) at 0° boom angle (no load)				50				

NOTE: ( ) Boom angles are in degrees.

\*This capacity is based on maximum boom angle.

<b>Lifting Capacities at Zero Degree Boom Angle</b>								
<b>On Outriggers 0% Extended - 360°</b>								
Boom Angle	Main Boom Length in Feet							
	29	40	50					
0 deg.	8,310 (22.8)	3,390 (33.8)	1,480 (43.8)					

NOTE: ( ) Reference radii in feet.

A6-829-100271A

## 26 ft. - 45 ft. Tele-Offsettable Boom Extension On Outriggers 50% Extended (14.0 ft. Sread) - 360°

Radius in Feet	**26 ft. LENGTH		45 ft. LENGTH	
	0° OFFSET	30° OFFSET	0° OFFSET	30° OFFSET
30	*8,200 (76)			
35	8,200 (73.5)		*5,250 (76)	
40	6,940 (71)	*5,780 (76)	5,250 (75)	
45	5,580 (68.5)	5,780 (73.5)	4,940 (73)	
50	4,490 (66)	5,360 (71)	4,540 (71)	
55	3,600 (63)	4,350 (68)	4,150 (68.5)	*2,730 (76)
60	2,860 (60.5)	3,430 (65)	3,490 (66)	2,730 (74.5)
65	2,190 (57.5)	2,670 (62)	2,870 (64)	2,730 (72)
70	1,610 (54.5)	2,030 (59)	2,340 (61.5)	2,580 (69.5)
75	1,120 (51.5)	1,490 (56)	1,840 (59)	2,520 (67)
80		1,020 (52.5)	1,400 (56.5)	2,260 (64)
85			1,020 (54)	1,760 (61.5)
90				1,310 (58.5)
0.1A (lb.)	570	540	500	460
Min. boom angle for indicated length (no load)	44°	46°	48°	49°
Max. boom length at 0° boom angle (no load)	60 ft.		60 ft.	

NOTE: ( ) Boom angles are in degrees.

A6-829-100273A

\*This capacity based on maximum boom angle.

\*\*26 ft. capacities are also applicable to fixed offsettable ext. However, the LMI codes will change for 0° and 30° offset, respectively.

**Rated Lifting Capacities In Pounds**  
**29 ft. - 95 ft. Boom**  
**On Outriggers 50% Extended (14.0 ft. Spread) - 360°**

Radius in Feet	Main Boom Length in Feet							
	29	40	50	60	70	80	90	95
10	60,000 (60.5)	48,000 (69.5)	45,000 (74.5)					
12	53,300 (56)	48,000 (66.5)	44,950 (72)	*37,000 (76)				
15	42,100 (47.5)	40,500 (61.5)	38,350 (68)	36,000 (72)	*27,400 (76)	*21,000 (76)		
20	23,950 (30)	23,850 (53)	23,900 (61.5)	24,050 (67)	23,200 (71)	21,000 (73.5)	*17,000 (76)	*15,500 (76)
25		15,850 (42.5)	15,950 (54.5)	16,150 (61.5)	16,350 (66.5)	16,400 (70)	15,950 (72.5)	15,300 (74)
30		11,350 (29)	11,500 (47)	11,650 (56)	11,800 (61.5)	12,000 (66)	12,150 (69)	12,100 (70.5)
35			8,620 (38)	8,820 (49.5)	8,930 (56.5)	9,050 (61.5)	9,190 (65.5)	9,260 (67.5)
40			6,610 (26)	6,820 (42.5)	6,900 (51.5)	6,990 (57.5)	7,100 (62)	7,150 (64)
45				5,350 (34.5)	5,400 (46)	5,470 (53)	5,550 (58.5)	5,600 (60.5)
50				4,220 (23.5)	4,260 (39.5)	4,310 (48)	4,370 (54.5)	4,410 (57)
55					3,350 (32)	3,390 (43)	3,430 (50)	3,460 (53)
60					2,600 (22)	2,640 (37)	2,670 (45.5)	2,700 (49)
65						2,020 (30)	2,050 (40.5)	2,060 (44.5)
70						1,490 (20.5)	1,520 (35)	1,530 (40)
75							1,070 (28.5)	1,080 (34.5)
0.1A (lb.)	660	610	580	560	550	540	540	530
Minimum boom angle (°) for indicated length (no load)							15	20
Maximum boom length (ft.) at 0° boom angle (no load)							80	

NOTE: ( ) Boom angles are in degrees.

\*This capacity is based on maximum boom angle.

Lifting Capacities at Zero Degree Boom Angle On Outriggers 50% Extended - 360°								
Boom Angle	Main Boom Length in Feet							
	29	40	50	60	70	80		
0 deg.	18,800 (22.8)	9,000 (33.8)	5,400 (43.8)	3,480 (53.8)	2,100 (63.8)	1,130 (73.8)		

NOTE: ( ) Reference radii in feet.

A6-829-100270A

# Weight Reductions For Load Handling Devices

26 ft. Offsettable Boom Extension	
*Erected -	2,960 lbs.
26 ft. - 45 ft. Tele. Boom Extension	
*Erected (Retracted) -	4,220 lbs.
*Erected (Extended) -	5,780 lbs.

\*Reduction of main boom capacities

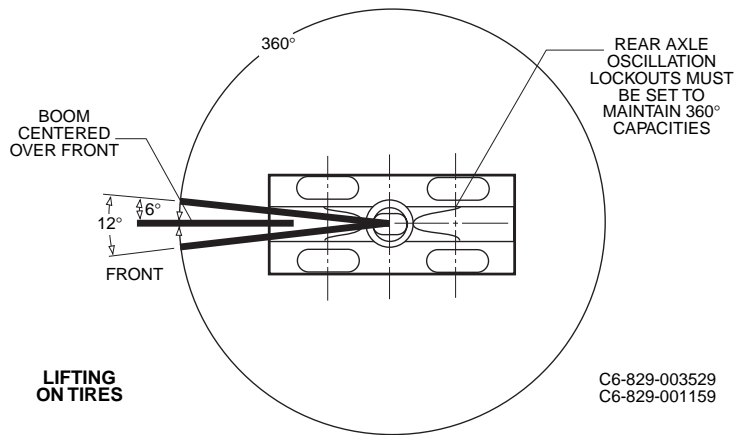
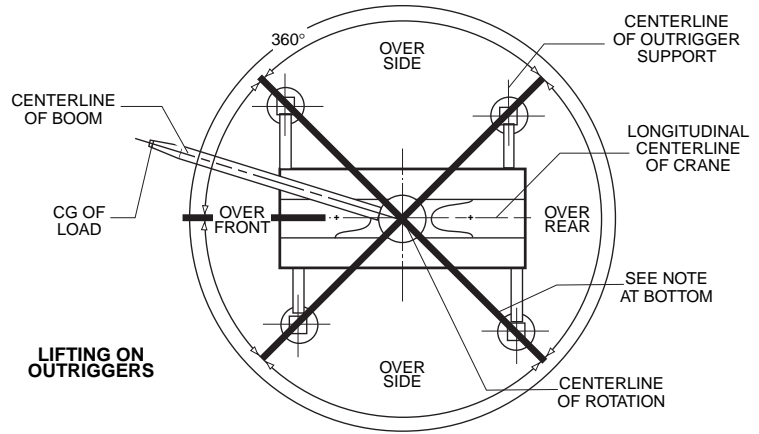
Auxiliary Boom Nose	142 lbs.
Hookblocks and Headache Balls:	
30 Ton, 3 Sheave	580 lbs.+
15 Ton, 2 Sheave	425 lbs.+
7.5 Ton Overhaul Ball	354 lbs.+
7.5 Ton Headache Ball	338 lbs.+

+Refer to rating plate for actual weight.

When lifting over swingaway and/or jib combinations, deduct total weight of all load handling devices reeved over main boom nose directly from swingaway or jib capacity.

NOTE: All load handling devices and boom attachments are considered part of the load and suitable allowances **MUST BE MADE** for their combined weights. Weights are for Grove furnished equipment.

## Diagram Of Working Area



BOLD LINES DETERMINE THE LIMITING POSITION OF ANY LOAD FOR OPERATION WITHIN WORKING AREAS INDICATED

C6-829-003529  
C6-829-001159

## Line Pulls And Reeving Information

Hoists	Cable Specs.	Permissible Line Pulls	Nominal Cable Length
Main & Aux.	5/8" (16 mm) 18x19 Class or 35x7 Rotation Resistant Min. Breaking Str. 45,400 lb.	9,080 lb.	450 ft.
Main	5/8" (16 mm) 6x37 Class, EIPS, WRC Special Flexible Min. Breaking Str. 41,200 lb.	11,770 lb.	450 ft.

## Tire Inflation - PSI(BAR)

Size (Front & Rear)	Load Range	TRA Code	Lifting Service And General Travel	Extended Travel
			Static, Creep & 2.5 MPH (4.0 km/h)	
20.5 x 25	24 PR	E - 3	75 (5.2)	70 (4.8)



**Grove Worldwide - World Headquarters**

*Western Hemisphere, Asia/Pacific*  
1565 Buchanan Trail East  
P.O. Box 21  
Shady Grove, Pennsylvania 17256-0021,  
USA  
Tel: [Int + 1] (717) 597-8121  
Fax: [Int + 1] (717) 597-4062

**Grove Europe Limited\***

*Europe, Africa, Middle East  
(Sales & Marketing)*  
1 Emperor Way  
Doxford International Business Park  
Sunderland SR3 3XR, England  
Tel: [Int + 44] (191) 515-7253  
Fax: [Int + 44] (191) 564-0442

**Grove Europe Limited\***

*UK & EIRE (Sales & Service)*  
Telford Road, Bicester  
Oxfordshire OX6 0TZ, England  
Tel: [Int + 44] (1869) 878-890  
Fax: [Int + 44] (1869) 878-891

**Deutsche Grove GmbH**

*Germany (Sales & Service)*  
Helmholtzstrasse 12, Postfach 5026  
D-40750 Langenfeld, Germany  
Tel: [Int + 49] (2173) 8909-0  
Fax: [Int + 49] (2173) 8909-30

**Deutsche Grove GmbH**

*Wilhelmshaven Works*  
Industriegelände West, Postfach 1853  
D-26358 Wilhelmshaven, Germany  
Tel: [Int + 49] (4421) 294-0  
Fax: [Int + 49] (4421) 294-301

**Grove France SAS**

*France (Sales & Service)*  
16, Chaussée Jules-César, 95520  
OSNY  
B.P. 203, 95523 Cergy Pontoise  
France  
Tel: [Int + 33] (1) 303-13150  
Fax: [Int + 33] (1) 303-86085

**Grove Asia/Pacific - Representative Office**

*Asia/Pacific, Near East*  
171 Chin Swee Road  
#10-09 San Centre  
Singapore 16987  
Tel: [Int + 65] 536-6112  
Fax: [Int + 65] 536-6119

**Grove China - Representative Office**

Room 713, Towercrest Plaza  
No. 3 Mai Zi Dian West Road  
Chao Yang District  
Beijing, China 100016  
Tel: [Int + 86] (10) 64 67 16 90  
Fax: [Int + 86] (10) 64 67 16 91

**Grove Middle East**

P.O. Box 290  
Dubai, United Arab Emirates  
Tel: [Int + 971] (4) 3484478  
Fax: [Int + 971] (4) 3484478

**Lifetime Customer Support**

*Western Hemisphere, Asia/Pacific*  
1086 Wayne Avenue  
Chambersburg, Pennsylvania 17201  
USA  
Tel: [Int + 1] (717) 263-5100  
Fax: [Int + 1] (717) 267-0404

*Europe, Africa, Middle East*

Grove Europe Limited\*  
1 Emperor Way  
Doxford International Business Park  
Sunderland SR3 3XR, England  
Tel: [Int + 44] (191) 565-6281  
Parts Fax: [Int + 44] (191) 515-7475  
Service Fax: [Int + 44] (191) 515-7340

\*Grove Europe Limited, Registered in England,  
Number 1845128.

<http://www.grovetworldwide.com>

Distributed By:

Constant improvement and engineering progress make it necessary that we reserve the right to make specification, equipment, and price changes without notice. Illustrations shown may include optional equipment and accessories and may not include all standard equipment.

GROVE® and GROVE LOGO are registered trademarks of GROVE in the U.S. and/or other countries.  
Copyright © 2000 GROVE. All rights reserved.

Form No.: RT530E Part No.: 3-1303 0800-4M Printed in U.S.A.